
Stream: Internet Engineering Task Force (IETF)
RFC: [0000](#)
Obsoletes: [5245](#), [6336](#)
Category: Standards Track
Published: September 2019
ISSN: 2070-1721
Authors:
M. Petit-Huguenin S. Nandakumar C. Holmberg A. Keranen R. Shpount
Impedance Mismatch *Cisco Systems* *Ericsson* *Ericsson* *TurboBridge*

RFC 0000

Session Description Protocol (SDP) Offer/ Answer procedures for Interactive Connectivity Establishment (ICE)

Abstract

This document describes Session Description Protocol (SDP) Offer/Answer procedures for carrying out Interactive Connectivity Establishment (ICE) between the agents.

This document obsoletes RFCs 5245 and 6336.

Status of This Memo

This is an Internet Standards Track document.

This document is a product of the Internet Engineering Task Force (IETF). It represents the consensus of the IETF community. It has received public review and has been approved for publication by the Internet Engineering Steering Group (IESG). Further information on Internet Standards is available in Section 2 of RFC 7841.

Information about the current status of this document, any errata, and how to provide feedback on it may be obtained at <https://www.rfc-editor.org/info/rfc0000>.

Copyright Notice

Copyright (c) 2019 IETF Trust and the persons identified as the document authors. All rights reserved.

This document is subject to BCP 78 and the IETF Trust's Legal Provisions Relating to IETF Documents (<https://trustee.ietf.org/license-info>) in effect on the date of publication of this document. Please review these documents carefully, as they describe your rights and restrictions with respect to this document. Code Components extracted from this document must include Simplified BSD License text as described in Section 4.e of the Trust Legal Provisions and are provided without warranty as described in the Simplified BSD License.

This document may contain material from IETF Documents or IETF Contributions published or made publicly available before November 10, 2008. The person(s) controlling the copyright in some of this material may not have granted the IETF Trust the right to allow modifications of such material outside the IETF Standards Process. Without obtaining an adequate license from the person(s) controlling the copyright in such materials, this document may not be modified outside the IETF Standards Process, and derivative works of it may not be created outside the IETF Standards Process, except to format it for publication as an RFC or to translate it into languages other than English.

Table of Contents

1. Introduction
2. Conventions
3. Terminology
4. SDP Offer/Answer Procedures
 - 4.1. Introduction
 - 4.2. Generic Procedures
 - 4.2.1. Encoding
 - 4.2.2. RTP/RTCP Considerations
 - 4.2.3. Determining Role
 - 4.2.4. STUN Considerations
 - 4.2.5. Verifying ICE Support Procedures
 - 4.2.6. SDP Example
 - 4.3. Initial Offer/Answer Exchange
 - 4.3.1. Sending the Initial Offer
 - 4.3.2. Sending the Initial Answer
 - 4.3.3. Receiving the Initial Answer
 - 4.3.4. Concluding ICE
 - 4.4. Subsequent Offer/Answer Exchanges
 - 4.4.1. Sending Subsequent Offer
 - 4.4.2. Sending Subsequent Answer
 - 4.4.3. Receiving Answer for a Subsequent Offer
5. Grammar
 - 5.1. "candidate" Attribute
 - 5.2. "remote-candidates" Attribute

- 5.3. "ice-lite" and "ice-mismatch" Attributes
- 5.4. "ice-ufrag" and "ice-pwd" Attributes
- 5.5. "ice-pacing" Attribute
- 5.6. "ice-options" Attribute
- 6. Keepalives
- 7. SIP Considerations
 - 7.1. Latency Guidelines
 - 7.1.1. Offer in INVITE
 - 7.1.2. Offer in Response
 - 7.2. SIP Option Tags and Media Feature Tags
 - 7.3. Interactions with Forking
 - 7.4. Interactions with Preconditions
 - 7.5. Interactions with Third Party Call Control
- 8. Interactions with Application Layer Gateways and SIP
- 9. Security Considerations
 - 9.1. IP Address Privacy
 - 9.2. Attacks on the Offer/Answer Exchanges
 - 9.3. The Voice Hammer Attack
- 10. IANA Considerations
 - 10.1. SDP Attributes
 - 10.1.1. candidate Attribute
 - 10.1.2. remote-candidates Attribute
 - 10.1.3. ice-lite Attribute
 - 10.1.4. ice-mismatch Attribute
 - 10.1.5. ice-pwd Attribute

[10.1.6. ice-ufrag Attribute](#)

[10.1.7. ice-options Attribute](#)

[10.1.8. ice-pacing Attribute](#)

[10.2. Interactive Connectivity Establishment \(ICE\) Options Registry](#)

[10.3. Candidate Attribute Extension Subregistry Establishment](#)

[11. Changes from RFC 5245](#)

[12. References](#)

[12.1. Normative References](#)

[12.2. Informative References](#)

[Appendix A. Examples](#)

[Appendix B. The remote-candidates Attribute](#)

[Appendix C. Why Is the Conflict Resolution Mechanism Needed?](#)

[Appendix D. Why Send an Updated Offer?](#)

[Acknowledgments](#)

[Contributors](#)

[Authors' Addresses](#)

1. Introduction

This document describes how Interactive Connectivity Establishment (ICE) is used with Session Description Protocol (SDP) offer/answer [RFC3264]. The ICE specification [RFC8445] describes procedures that are common to all usages of ICE and this document gives the additional details needed to use ICE with SDP offer/answer.

This document obsoletes RFCs 5245 and 6336.

NOTE: Previously both the common ICE procedures, and the SDP offer/answer specific details, were described in [\[RFC5245\]](#). [\[RFC8445\]](#) obsoleted [\[RFC5245\]](#), and the SDP offer/answer specific details were removed from the document. [Section 11](#) describes the changes to the SDP offer/answer specific details specified in this document.

2. Conventions

The key words "MUST", "MUST NOT", "REQUIRED", "SHALL", "SHALL NOT", "SHOULD", "SHOULD NOT", "RECOMMENDED", "NOT RECOMMENDED", "MAY", and "OPTIONAL" in this document are to be interpreted as described in BCP 14 [\[RFC2119\]](#) [\[RFC8174\]](#) when, and only when, they appear in all capitals, as shown here.

3. Terminology

Readers should be familiar with the terminology defined in [\[RFC3264\]](#), in [\[RFC8445\]](#) and the following:

Default Destination/Candidate: The default destination for a component of a data stream is the transport address that would be used by an agent that is not ICE aware. A default candidate for a component is one whose transport address matches the default destination for that component. For the RTP component, the default connection address is in the "c=" line of the SDP, and the port and transport protocol are in the "m=" line. For the RTP Control Protocol (RTCP) component, the address and port are indicated using the "a=rtcp" attribute defined in [\[RFC3605\]](#), if present; otherwise, the RTCP component address is the same as the address of the RTP component, and its port is one greater than the port of the RTP component.

4. SDP Offer/Answer Procedures

4.1. Introduction

[\[RFC8445\]](#) defines ICE candidate exchange as the process for ICE agents (Initiator and Responder) to exchange their candidate information required for ICE processing at the agents. For the purposes of this specification, the candidate exchange process

corresponds to the offer/answer model [RFC3264], and the terms "offerer" and "answerer" correspond to the initiator and responder roles from [RFC8445] respectively.

Once the initiating agent has gathered, pruned, and prioritized its set of candidates [RFC8445], the candidate exchange with the peer agent begins.

4.2. Generic Procedures

4.2.1. Encoding

Section 5 provides detailed rules for constructing various SDP attributes defined in this specification.

4.2.1.1. Data Streams

Each data stream [RFC8445] is represented by an SDP media description ("m=" section).

4.2.1.2. Candidates

Within an "m=" section, each candidate (including the default candidate) associated with the data stream is represented by an SDP candidate attribute.

Prior to nomination, the "c=" line associated with an "m=" section contains the connection address of the default candidate, while the "m=" line contains the port and transport protocol of the default candidate for that "m=" section.

After nomination, the "c=" line for a given "m=" section contains the connection address of the nominated candidate (the local candidate of the nominated candidate pair) and the "m=" line contains the port and transport protocol corresponding to the nominated candidate for that "m=" section.

4.2.1.3. Username and Password

The ICE username is represented by an SDP ice-ufrag attribute and the ICE password is represented by an SDP ice-pwd attribute.

4.2.1.4. Lite Implementations

An ICE lite implementation [RFC8445] **MUST** include an SDP ice-lite attribute. A full implementation **MUST NOT** include that attribute.

4.2.1.5. ICE Extensions

An agent uses the SDP ice-options attribute to indicate support of ICE extensions.

An agent compliant to this specification **MUST** include an SDP ice-options attribute with an "ice2" attribute value [RFC8445]. If an agent receives an SDP offer or answer that indicates ICE support, but that does not contain an SDP ice-options attribute with an "ice2" attribute value, the agent can assume that the peer is compliant to [RFC5245].

4.2.1.6. Inactive and Disabled Data Streams

If an "m=" section is marked as inactive [RFC4566], or has a bandwidth value of zero [RFC4566], the agent **MUST** still include ICE-related SDP attributes.

If the port value associated with an "m=" section is set to zero (implying a disabled stream) as defined in Section 8.2 of [RFC3264], the agent **SHOULD NOT** include ICE-related SDP candidate attributes in that "m=" section, unless an SDP extension specifying otherwise is used.

4.2.2. RTP/RTCP Considerations

If an agent utilizes both RTP and RTCP, and separate ports are used for RTP and RTCP, the agent **MUST** include SDP candidate attributes for both the RTP and RTCP components.

The agent includes an SDP rtcp attribute following the procedures in [RFC3605]. Hence, in the cases where the RTCP port value is one higher than the RTP port value and the RTCP component address the same as the address of the RTP component, the SDP rtcp attribute might be omitted.

NOTE: [RFC5245] required that an agent always includes the SDP rtcp attribute, even if the RTCP port value was one higher than the RTP port value. This specification aligns the rtcp attribute procedures with [RFC3605].

If the agent does not utilize RTCP, it indicates that by including b=RS:0 and b=RR:0 SDP attributes, as described in [RFC3556].

4.2.3. Determining Role

The offerer acts as the Initiating agent. The answerer acts as the Responding agent. The ICE roles (controlling and controlled) are determined using the procedures in [RFC8445].

4.2.4. STUN Considerations

Once an agent has provided its local candidates to its peer in an SDP offer or answer, the agent **MUST** be prepared to receive STUN [[RFC5389](#)] connectivity check Binding requests on those candidates.

4.2.5. Verifying ICE Support Procedures

An ICE agent is considered to indicate support of ICE by including at least the SDP `ice-pwd` and `ice-frag` attributes in an offer or answer. An ICE agent compliant with this specification **MUST** also include an SDP `ice-options` attribute with an "ice2" attribute value.

The agents will proceed with the ICE procedures defined in [[RFC8445](#)] and this specification if, for each data stream in the SDP it received, the default destination for each component of that data stream appears in a candidate attribute. For example, in the case of RTP, the connection address, port, and transport protocol in the "c=" and "m=" lines, respectively, appear in a candidate attribute and the value in the `rtcp` attribute appears in a candidate attribute.

This specification provides no guidance on how an agent should proceed in the cases where the above condition is not met with the few exceptions noted below:

1. The presence of certain application layer gateways might modify the transport address information as described in [Section 8](#). The behavior of the responding agent in such a situation is implementation dependent. Informally, the responding agent might consider the mismatched transport address information as a plausible new candidate learnt from the peer and continue its ICE processing with that transport address included. Alternatively, the responding agent **MAY** include an "a=ice-mismatch" attribute in its answer for such data streams. If an agent chooses to include an "a=ice-mismatch" attribute in its answer for a data stream, then it **MUST** also omit "a=candidate" attributes, **MUST** terminate the usage of ICE procedures and [[RFC3264](#)] procedures **MUST** be used instead for this data stream.
2. The transport address from the peer for the default destination is set to IPv4/IPv6 address values "0.0.0.0"/":::" and port value of "9". This **MUST NOT** be considered as a ICE failure by the peer agent and the ICE processing **MUST** continue as usual.
3. In some cases, the controlling/initiator agent may receive the SDP answer that may omit "a=candidate" attributes for the data stream, and instead include a media level "a=ice-mismatch" attribute. This signals to the offerer that the answerer

supports ICE, but that ICE processing was not used for this data stream. In this case, ICE processing **MUST** be terminated for this data stream and [RFC3264] procedures **MUST** be followed instead.

4. The transport address from the peer for the default destination is an FQDN. Regardless of the procedures used to resolve FQDN or the resolution result, this **MUST NOT** be considered as a ICE failure by the peer agent and the ICE processing **MUST** continue as usual.

4.2.6. SDP Example

The following is an example SDP message that includes ICE attributes (lines folded for readability):

```
v=0
o=jdoe 2890844526 2890842807 IN IP4 203.0.113.141
s=
c=IN IP4 192.0.2.3
t=0 0
a=ice-options:ice2
a=ice-pacing:50
a=ice-pwd:asd88fgpdd777uzjYhagZg
a=ice-ufrag:8hhY
m=audio 45664 RTP/AVP 0
b=RS:0
b=RR:0
a=rtpmap:0 PCMU/8000
a=candidate:1 1 UDP 2130706431 203.0.113.141 8998 typ host
a=candidate:2 1 UDP 1694498815 192.0.2.3 45664 typ srflx raddr
203.0.113.141 rport 8998
```

4.3. Initial Offer/Answer Exchange

4.3.1. Sending the Initial Offer

When an offerer generates the initial offer, in each "m=" section it **MUST** include SDP candidate attributes for each available candidate associated with the "m=" section. In addition, the offerer **MUST** include an SDP ice-ufrag attribute, an SDP ice-pwd attribute and an SDP ice-options attribute with an "ice2" attribute value in the offer. If the offerer is a full ICE implementation, it **SHOULD** include an ice-pacing attribute in the offer (if not included, the default value will apply). A lite ICE implementation **MUST NOT** included the ice-pacing attribute in the offer (as it will not perform connectivity checks).

It is valid for an offer "m=" line to include no SDP candidate attributes and with default destination set to the IP address values "0.0.0.0"/":::" and port value of "9". This implies that the offering agent is only going to use peer reflexive candidates or that additional candidates would be provided in subsequent signaling messages.

Note: Within the scope of this document, "Initial Offer" refers to the first SDP offer that is sent in order to negotiate usage of ICE. It might, or might not, be the initial SDP offer of the SDP session.

Note: The procedures in this document only consider "m=" sections associated with data streams where ICE is used.

4.3.2. Sending the Initial Answer

When an answerer receives an initial offer that indicates that the offerer supports ICE, and if the answerer accepts the offer and the usage of ICE, in each "m=" section within the answer, it **MUST** include SDP candidate attributes for each available candidate associated with the "m=" section. In addition, the answerer **MUST** include an SDP ice-frag attribute, an SDP ice-pwd attribute and an SDP ice-options attribute with an "ice2" attribute value in the answer. If the answerer is a full ICE implementation, it **SHOULD** include an ice-pacing attribute in the answerer (if not included, the default value will apply). A lite ICE implementation **MUST NOT** include the ice-pacing attribute in the answer (as it will not perform connectivity checks).

In each "m=" line, the answerer **MUST** use the same transport protocol as was used in the offer "m=" line. If none of the candidates in the "m=" line in the answer use the same transport protocol as indicated in the offer "m=" line, then, in order to avoid ICE mismatch, the default destination **MUST** be set to IP address values "0.0.0.0"/":::" and port value of "9".

It is also valid for an answer "m=" line to include no SDP candidate attributes and with default destination set to the IP address values "0.0.0.0"/":::" and port value of "9". This implies that the answering agent is only going to use peer reflexive candidates or that additional candidates would be provided in subsequent signaling messages.

Once the answerer has sent the answer, it can start performing connectivity checks towards the peer candidates that were provided in the offer.

If the offer does not indicate support of ICE [Section 4.2.5](#), the answerer **MUST NOT** accept the usage of ICE. If the answerer still accepts the offer, the answerer **MUST NOT** include any ICE-related SDP attributes in the answer. Instead the answerer will generate the answer according to normal offer/answer procedures [[RFC3264](#)].

If the answerer detects a possibility of an ICE mismatch, procedures described in [Section 4.2.5](#) are followed.

4.3.3. Receiving the Initial Answer

When an offerer receives an initial answer that indicates that the answerer supports ICE, it can start performing connectivity checks towards the peer candidates that were provided in the answer.

If the answer does not indicate that the answerer supports ICE, or if the answerer included "a=ice-mismatch" attributes for all the active data streams in the answer, the offerer **MUST** terminate the usage of ICE for the entire session and [[RFC3264](#)] procedures **MUST** be followed instead.

On the other hand, if the answer indicates support for ICE but includes "a=ice-mismatch" in certain active data streams, then the offerer **MUST** terminate the usage of ICE procedures and [[RFC3264](#)] procedures **MUST** be used instead for only these data streams. Also, ICE procedures **MUST** be used for data streams where an "a=ice-mismatch" attribute was not included.

If the offerer detects an ICE mismatch for one or more data streams in the answer, as described in [Section 4.2.5](#), the offerer **MUST** terminate the usage of ICE for the entire session. The subsequent actions taken by the offerer are implementation dependent and are out of the scope of this specification.

4.3.4. Concluding ICE

Once the agent has successfully nominated a pair [[RFC8445](#)], the state of the checklist associated with the pair is set to Completed. Once the state of each checklist is set to either Completed or Failed, for each Completed checklist the agent checks whether the nominated pair matches the default candidate pair. If there are one or more pairs that do not match, and the peer did not indicate support for the 'ice2' ice-option, the controlling agent **MUST** generate a subsequent offer, in which the connection address, port and transport protocol in the "c=" and "m=" lines associated with each data stream match the corresponding local information of the nominated pair for that data stream

([Section 4.4.1.2.2](#)). If the peer did indicate support for the 'ice2' ice-option, the controlling agent does not immediately need to generate an updated offer in order to align a connection address, port and protocol with a nominated pair. However, later in the session, whenever the controlling agent does sent a subsequent offer, it **MUST** do the alignment as described above.

If there are one or more checklists with the state set to Failed, the controlling agent **MUST** generate a subsequent offer in order to remove the associated data streams by setting the port value of the data streams to zero ([Section 4.4.1.1.2](#)), even if the peer did indicate support for the 'ice2' ice-option. If needed, such offer is used to align the connection address, port and transport protocol, as described above.

As described in [[RFC8445](#)], once the controlling agent has nominated a candidate pair for a checklist, the agent **MUST NOT** nominate another pair for that checklist during the lifetime of the ICE session (i.e. until ICE is restarted).

[[ICE-PAC](#)] provides a mechanism for allowing the ICE process to run long enough in order to find working candidate pairs, by waiting for potential peer-reflexive candidates, even though no candidate pairs were received from the peer or all current candidate pairs associated with a checklist have either failed or been discarded. It is **OPTIONAL** for an ICE agent to support the mechanism.

4.4. Subsequent Offer/Answer Exchanges

Either agent **MAY** generate a subsequent offer at any time allowed by [[RFC3264](#)]. This section defines rules for construction of subsequent offers and answers.

Should a subsequent offer fail, ICE processing continues as if the subsequent offer had never been made.

4.4.1. Sending Subsequent Offer

4.4.1.1. Procedures for All Implementations

4.4.1.1.1. ICE Restart

An agent **MAY** restart ICE processing for an existing data stream [[RFC8445](#)].

The rules governing the ICE restart imply that setting the connection address in the "c=" line to "0.0.0.0" (for IPv4)/ ":::" (for IPv6) will cause an ICE restart. Consequently, ICE implementations **MUST NOT** utilize this mechanism for call hold, and instead **MUST** use "a=inactive" and "a=sendonly" as described in [\[RFC3264\]](#).

To restart ICE, an agent **MUST** change both the ice-pwd and the ice-ufrag for the data stream in an offer. However, it is permissible to use a session-level attribute in one offer, but to provide the same ice-pwd or ice-ufrag as a media-level attribute in a subsequent offer. This **MUST NOT** be considered as ICE restart.

An agent sets the rest of the ICE-related fields in the SDP for this data stream as it would in an initial offer of this data stream ([Section 4.2.1](#)). Consequently, the set of candidates **MAY** include some, none, or all of the previous candidates for that data stream and **MAY** include a totally new set of candidates. The agent **MAY** modify the attribute values of the SDP ice-options and SDP ice-pacing attributes, and it **MAY** change its role using the SDP ice-lite attribute. The agent **MUST NOT** modify the SDP ice-options, ice-pacing and ice-lite attributes in a subsequent offer unless the offer is sent in order to request an ICE restart.

4.4.1.1.2. Removing a Data Stream

If an agent removes a data stream by setting its port to zero, it **MUST NOT** include any candidate attributes for that data stream and **SHOULD NOT** include any other ICE-related attributes defined in [Section 5](#) for that data stream.

4.4.1.1.3. Adding a Data Stream

If an agent wishes to add a new data stream, it sets the fields in the SDP for this data stream as if this were an initial offer for that data stream ([Section 4.2.1](#)). This will cause ICE processing to begin for this data stream.

4.4.1.2. Procedures for Full Implementations

This section describes additional procedures for full implementations, covering existing data streams.

4.4.1.2.1. Before Nomination

When an offerer sends a subsequent offer; in each "m=" section for which a candidate pair has not yet been nominated, the offer **MUST** include the same set of ICE-related information that the offerer included in the previous offer or answer. The agent **MAY** include additional candidates it did not offer previously, but which it has gathered since the last offer/answer exchange, including peer reflexive candidates.

The agent **MAY** change the default destination for media. As with initial offers, there **MUST** be a set of candidate attributes in the offer matching this default destination.

4.4.1.2.2. After Nomination

Once a candidate pair has been nominated for a data stream, the connection address, port and transport protocol in each "c=" and "m=" line associated with that data stream **MUST** match the data associated with the nominated pair for that data stream. In addition, the offerer only includes SDP candidates (one per component) representing the local candidates of the nominated candidate pair. The offerer **MUST NOT** include any other SDP candidate attributes in the subsequent offer.

In addition, if the agent is controlling, it **MUST** include the "a=remote-candidates" attribute for each data stream whose checklist is in the Completed state. The attribute contains the remote candidates corresponding to the nominated pair in the valid list for each component of that data stream. It is needed to avoid a race condition whereby the controlling agent chooses its pairs, but the updated offer beats the connectivity checks to the controlled agent, which doesn't even know these pairs are valid, let alone selected. See [Appendix B](#) for elaboration on this race condition.

4.4.1.3. Procedures for Lite Implementations

If the ICE state is Running, a lite implementation **MUST** include all of its candidates for each component of each data stream in "a=candidate" attributes in any subsequent offer. The candidates are formed identically to the procedures for initial offers.

A lite implementation **MUST NOT** add additional host candidates in a subsequent offer, and **MUST NOT** modify the username fragments and passwords. If an agent needs to offer additional candidates, or modify the username fragments and passwords, it **MUST** request an ICE restart ([Section 4.4.1.1.1](#)) for that data stream.

If ICE has completed for a data stream and if the agent is controlled, the default destination for that data stream **MUST** be set to the remote candidate of the candidate pair for that component in the valid list. For a lite implementation, there is always just a single candidate pair in the valid list for each component of a data stream. Additionally, the agent **MUST** include a candidate attribute for each default destination.

If the ICE state is Completed and if the agent is controlling (which only happens when both agents are lite), the agent **MUST** include the "a=remote-candidates" attribute for each data stream. The attribute contains the remote candidates from the candidate pairs in the valid list (one pair for each component of each data stream).

4.4.2. Sending Subsequent Answer

If ICE is Completed for a data stream, and the offer for that data stream lacked the "a=remote-candidates" attribute, the rules for construction of the answer are identical to those for the offerer, except that the answerer **MUST NOT** include the "a=remote-candidates" attribute in the answer.

A controlled agent will receive an offer with the "a=remote-candidates" attribute for a data stream when its peer has concluded ICE processing for that data stream. This attribute is present in the offer to deal with a race condition between the receipt of the offer, and the receipt of the Binding Response that tells the answerer the candidate that will be selected by ICE. See [Appendix B](#) for an explanation of this race condition. Consequently, processing of an offer with this attribute depends on the winner of the race.

The agent forms a candidate pair for each component of the data stream by:

- Setting the remote candidate equal to the offerer's default destination for that component (i.e. the contents of the "m=" and "c=" lines for RTP, and the "a=rtcp" attribute for RTCP)
- Setting the local candidate equal to the transport address for that same component in the "a=remote-candidates" attribute in the offer.

The agent then sees if each of these candidate pairs is present in the valid list. If a particular pair is not in the valid list, the check has "lost" the race. Call such a pair a "losing pair".

The agent finds all the pairs in the checklist whose remote candidates equal the remote candidate in the losing pair:

- If none of the pairs are In-Progress, and at least one is Failed, it is most likely that a network failure, such as a network partition or serious packet loss, has occurred. The agent **SHOULD** generate an answer for this data stream as if the remote-candidates attribute had not been present, and then restart ICE for this stream.
- If at least one of the pairs is In-Progress, the agent **SHOULD** wait for those checks to complete, and as each completes, redo the processing in this section until there are no losing pairs.

Once there are no losing pairs, the agent can generate the answer. It **MUST** set the default destination for media to the candidates in the remote-candidates attribute from the offer (each of which will now be the local candidate of a candidate pair in the valid list). It **MUST** include a candidate attribute in the answer for each candidate in the remote-candidates attribute in the offer.

4.4.2.1. ICE Restart

If the offerer in a subsequent offer requested an ICE restart ([Section 4.4.1.1.1](#)) for a data stream, and if the answerer accepts the offer, the answerer follows the procedures for generating an initial answer.

For a given data stream, the answerer **MAY** include the same candidates that were used in the previous ICE session, but it **MUST** change the SDP ice-pwd and ice-ufrag attribute values.

The answerer **MAY** modify the attribute values of the SDP ice-options and SDP ice-pacing attributes, and it **MAY** change its role using the SDP ice-lite attribute. The answerer **MUST NOT** modify the SDP ice-options, ice-pacing and ice-lite attributes in a subsequent answer unless the answer is sent for an offer that was used to request an ICE restart ([Section 4.4.1.1.1](#)). If any of the SDP attributes have been modified in a subsequent offer that is not used to request an ICE restart, the answerer **MUST** reject the offer.

4.4.2.2. Lite Implementation specific procedures

If the received offer contains the remote-candidates attribute for a data stream, the agent forms a candidate pair for each component of the data stream by:

- Setting the remote candidate equal to the offerer's default destination for that component (i.e., the contents of the "m=" and "c=" lines for RTP, and the "a=rtcp" attribute for RTCP).
- Setting the local candidate equal to the transport address for that same component in the "a=remote-candidates" attribute in the offer.

The state of the checklist associated with that data stream is set to Completed.

Furthermore, if the agent believed it was controlling, but the offer contained the "a=remote-candidates" attribute, both agents believe they are controlling. In this case, both would have sent updated offers around the same time.

However, the signaling protocol carrying the offer/answer exchanges will have resolved this glare condition, so that one agent is always the 'winner' by having its offer received before its peer has sent an offer. The winner takes the role of controlling, so that the loser (the answerer under consideration in this section) **MUST** change its role to controlled.

Consequently, if the agent was going to send an updated offer since, based on the rules in [Section 8.2](#) of [RFC8445], it was controlling, it no longer needs to.

Besides the potential role change, change in the Valid list, and state changes, the construction of the answer is performed identically to the construction of an offer.

4.4.3. Receiving Answer for a Subsequent Offer

4.4.3.1. Procedures for Full Implementations

There may be certain situations where the offerer receives an SDP answer that lacks ICE candidates although the initial answer included them. One example of such an "unexpected" answer might be happen when an ICE-unaware Back-to-Back User Agent (B2BUA) introduces a media server during call hold using 3rd party call-control procedures [RFC3725]. Omitting further details how this is done, this could result in an answer being received at the holding UA that was constructed by the B2BUA. With the B2BUA being ICE-unaware, that answer would not include ICE candidates.

Receiving an answer without ICE attributes in this situation might be unexpected, but would not necessarily impair the user experience.

When the offerer receives an answer indicating support for ICE, the offer performs one of the following actions:

- If the offer was a restart, the agent **MUST** perform ICE restart procedures as specified in [Section 4.4.3.1.1](#)
- If the offer/answer exchange removed a data stream, or an answer rejected an offered data stream, an agent **MUST** flush the Valid list for that data stream. It **MUST** also terminate any STUN transactions in progress for that data stream.
- If the offer/answer exchange added a new data stream, the agent **MUST** create a new checklist for it (and an empty Valid list to start of course) which in turn triggers the candidate processing procedures [[RFC8445](#)].
- If the checklist state associated with a data stream is Running, the agent recomputes the checklist. If a pair on the new checklist was also on the previous checklist, its candidate pair state is copied over. Otherwise, its candidate pair state is set to Frozen. If none of the checklists are active (meaning that the candidate pair states in each checklist are Frozen), appropriate procedures in [[RFC8445](#)] are performed to move candidate pair(s) to the Waiting state to further continue ICE processing.
- If the ICE state is Completed and the SDP answer conforms to [Section 4.4.2](#), the agent **MUST** remain in the Completed ICE state.

However, if the ICE support is no longer indicated in the SDP answer, the agent **MUST** fall-back to [[RFC3264](#)] procedures and **SHOULD NOT** drop the dialog because of the missing ICE support or unexpected answer. Once the agent sends a new offer later on, it **MUST** perform an ICE restart.

4.4.3.1.1. ICE Restarts

The agent **MUST** remember the nominated pair in the Valid list for each component of the data stream, called the "previous selected pair", prior to the restart. The agent will continue to send media using this pair, as described in [Section 12](#) of [[RFC8445](#)]. Once these destinations are noted, the agent **MUST** flush the Valid lists and checklists, and then recompute the checklist and its states, thus triggering the candidate processing procedures [[RFC8445](#)]

4.4.3.2. Procedures for Lite Implementations

If ICE is restarting for a data stream, the agent **MUST** create a new Valid list for that data stream. It **MUST** remember the nominated pair in the previous Valid list for each component of the data stream, called the "previous selected pairs", and continue to send media there as described in [Section 12](#) of [\[RFC8445\]](#). The state of each checklist for each data stream **MUST** change to Running, and the ICE state **MUST** be set to Running.

5. Grammar

This specification defines eight new SDP attributes -- the "candidate", "remote-candidates", "ice-lite", "ice-mismatch", "ice-ufrag", "ice-pwd", "ice-pacing", and "ice-options" attributes.

This section also provides non-normative examples of the attributes defined.

The syntax for the attributes follow Augmented BNF as defined in [\[RFC5234\]](#).

5.1. "candidate" Attribute

The candidate attribute is a media-level attribute only. It contains a transport address for a candidate that can be used for connectivity checks.

```

candidate-attribute = "candidate" ":" foundation SP component-id SP
                    transport SP
                    priority SP
                    connection-address SP ;from RFC 4566
                    port ;port from RFC 4566
                    SP cand-type
                    [SP rel-addr]
                    [SP rel-port]
                    *(SP cand-extension)

foundation          = 1*32ice-char
component-id        = 1*3DIGIT
transport           = "UDP" / transport-extension
transport-extension = token ; from RFC 3261
priority            = 1*10DIGIT
cand-type           = "typ" SP candidate-types
candidate-types     = "host" / "srflx" / "prflx" / "relay" / token
rel-addr            = "raddr" SP connection-address
rel-port            = "rport" SP port
cand-extension      = extension-att-name SP extension-att-value
extension-att-name  = token
extension-att-value = *VCHAR
ice-char            = ALPHA / DIGIT / "+" / "/"

```

This grammar encodes the primary information about a candidate: its IP address, port and transport protocol, and its properties: the foundation, component ID, priority, type, and related transport address:

<connection-address>: is taken from RFC 4566 [RFC4566]. It is the IP address of the candidate, allowing for IPv4 addresses, IPv6 addresses, and fully qualified domain names (FQDNs). When parsing this field, an agent can differentiate an IPv4 address and an IPv6 address by presence of a colon in its value - the presence of a colon indicates IPv6. An agent generating local candidates **MUST NOT** use FQDN addresses. An agent processing remote candidates **MUST** ignore candidate lines that include candidates with FQDN or IP address versions that are not supported or recognized. The procedures for generation and handling of FQDN candidates, as well as, how agents indicate support for such procedures, need to be specified in an extension specification.

<port>: is also taken from RFC 4566 [RFC4566]. It is the port of the candidate.

<transport>: indicates the transport protocol for the candidate. This specification only defines UDP. However, extensibility is provided to allow for future transport protocols to be used with ICE by extending the sub-registry "ICE

Transport Protocols" under "Interactive Connectivity Establishment (ICE)" registry.

<foundation>: is composed of 1 to 32 <ice-char>s. It is an identifier that is equivalent for two candidates that are of the same type, share the same base, and come from the same STUN server. The foundation is used to optimize ICE performance in the Frozen algorithm as described in [\[RFC8445\]](#)

<component-id>: is a positive integer between 1 and 256 (inclusive) that identifies the specific component of the data stream for which this is a candidate. It **MUST** start at 1 and **MUST** increment by 1 for each component of a particular candidate. For data streams based on RTP, candidates for the actual RTP media **MUST** have a component ID of 1, and candidates for RTCP **MUST** have a component ID of 2. See [Section 13](#) of [\[RFC8445\]](#) for additional discussion on extending ICE to new data streams.

<priority>: is a positive integer between 1 and $(2^{31} - 1)$ inclusive. The procedures for computing candidate's priority is described in [Section 5.1.2](#) of [\[RFC8445\]](#).

<cand-type>: encodes the type of candidate. This specification defines the values "host", "srflx", "prflx", and "relay" for host, server reflexive, peer reflexive, and relayed candidates, respectively. Specifications for new candidate types **MUST** define how, if at all, various steps in the ICE processing differ from the ones defined by this specification.

<rel-addr> and <rel-port>: convey transport addresses related to the candidate, useful for diagnostics and other purposes. <rel-addr> and <rel-port> **MUST** be present for server reflexive, peer reflexive, and relayed candidates. If a candidate is server or peer reflexive, <rel-addr> and <rel-port> are equal to the base for that server or peer reflexive candidate. If the candidate is relayed, <rel-addr> and <rel-port> are equal to the mapped address in the Allocate response that provided the client with that relayed candidate (see [Appendix B.3](#) of [\[RFC8445\]](#) for a discussion of its purpose). If the candidate is a host candidate, <rel-addr> and <rel-port> **MUST** be omitted.

In some cases, e.g., for privacy reasons, an agent may not want to reveal the related address and port. In this case the address **MUST** be set to "0.0.0.0" (for IPv4 candidates) or ":::" (for IPv6 candidates) and the port to '9'.

The candidate attribute can itself be extended. The grammar allows for new name/value pairs to be added at the end of the attribute. Such extensions **MUST** be made through IETF Review or IESG Approval [RFC8126] and the assignments **MUST** contain the specific extension and a reference to the document defining the usage of the extension.

An implementation **MUST** ignore any name/value pairs it doesn't understand.

```
Example: SDP line for UDP server reflexive candidate attribute for
the RTP component
```

```
a=candidate:2 1 UDP 1694498815 192.0.2.3 45664 typ srflx raddr
203.0.113.141 rport 8998
```

5.2. "remote-candidates" Attribute

The syntax of the "remote-candidates" attribute is defined using Augmented BNF as defined in [RFC5234]. The remote-candidates attribute is a media-level attribute only.

```
remote-candidate-att = "remote-candidates:" remote-candidate
                      0*(SP remote-candidate)
remote-candidate = component-ID SP connection-address SP port
```

The attribute contains a connection-address and port for each component. The ordering of components is irrelevant. However, a value **MUST** be present for each component of a data stream. This attribute **MUST** be included in an offer by a controlling agent for a data stream that is Completed, and **MUST NOT** be included in any other case.

```
Example: Remote candidates SDP lines for the RTP and RTCP components:
```

```
a=remote-candidates:1 192.0.2.3 45664
a=remote-candidates:2 192.0.2.3 45665
```

5.3. "ice-lite" and "ice-mismatch" Attributes

The syntax of the "ice-lite" and "ice-mismatch" attributes, both of which are flags, is:

```
ice-lite           = "ice-lite"
ice-mismatch       = "ice-mismatch"
```

"ice-lite" is a session-level attribute only, and indicates that an agent is a lite implementation. "ice-mismatch" is a media-level attribute and only reported in the answer. It indicates that the offer arrived with a default destination for a media component that didn't have a corresponding candidate attribute. Inclusion of "a=ice-mismatch" attribute for a given data stream implies that even though both agents support ICE, ICE procedures **MUST NOT** be used for this data stream and [RFC3264] procedures **MUST** be used instead.

5.4. "ice-ufrag" and "ice-pwd" Attributes

The "ice-ufrag" and "ice-pwd" attributes convey the username fragment and password used by ICE for message integrity. Their syntax is:

```
ice-pwd-att      = "ice-pwd:" password
ice-ufrag-att    = "ice-ufrag:" ufrag
password         = 22*256ice-char
ufrag           = 4*256ice-char
```

The "ice-pwd" and "ice-ufrag" attributes can appear at either the session-level or media-level. When present in both, the value in the media-level takes precedence. Thus, the value at the session-level is effectively a default that applies to all data streams, unless overridden by a media-level value. Whether present at the session or media-level, there **MUST** be an ice-pwd and ice-ufrag attribute for each data stream. If two data streams have identical ice-ufrag's, they **MUST** have identical ice-pwd's.

The ice-ufrag and ice-pwd attributes **MUST** be chosen randomly at the beginning of a session (the same applies when ICE is restarting for an agent).

[RFC8445] requires the ice-ufrag attribute to contain at least 24 bits of randomness, and the ice-pwd attribute to contain at least 128 bits of randomness. This means that the ice-ufrag attribute will be at least 4 characters long, and the ice-pwd at least 22 characters long, since the grammar for these attributes allows for 6 bits of information per character. The attributes **MAY** be longer than 4 and 22 characters, respectively, of course, up to 256 characters. The upper limit allows for buffer sizing in implementations. Its large upper limit allows for increased amounts of randomness to be added over time. For compatibility with the 512 character limitation for the STUN username attribute value and for bandwidth conservation considerations, the ice-ufrag attribute **MUST NOT** be longer than 32 characters when sending, but an implementation **MUST** accept up to 256 characters when receiving.

Example shows sample ice-ufrag and ice-pwd SDP lines:

```
a=ice-pwd:asd88fgpdd777uzjYhagZg
a=ice-ufrag:8hhY
```

5.5. "ice-pacing" Attribute

The "ice-pacing" is a session level attribute that indicates the desired connectivity check pacing (Ta interval), in milliseconds, that the sender wishes to use. See [Section 14.2](#) of [RFC8445] for more information regarding selecting a pacing value. The syntax is:

```
ice-pacing-att      = "ice-pacing:" pacing-value
pacing-value        = 1*10DIGIT
```

If absent in an offer or answer the default value of the attribute is 50 ms, which is the recommended value specified in [RFC8445].

Once both agents have indicated the pacing value they wish to use, both agents **MUST** use the larger of the indicated values.

Example shows an ice-pacing SDP line with value '50':

```
a=ice-pacing:50
```

5.6. "ice-options" Attribute

The "ice-options" attribute is a session- and media-level attribute. It contains a series of tokens that identify the options supported by the agent. Its grammar is:

```
ice-options          = "ice-options:" ice-option-tag
                      *(SP ice-option-tag)
ice-option-tag       = 1*ice-char
```

The existence of an ice-option in an offer indicates that a certain extension is supported by the agent and it is willing to use it, if the peer agent also includes the same extension in the answer. There might be further extension specific negotiation needed between the agents that determine how the extension gets used in a given session. The details of the negotiation procedures, if present, **MUST** be defined by the specification defining the extension ([Section 10.2](#)).

The following example shows an ice-options SDP line with 'ice2' and 'rtp+ecn' [RFC6679] values.

```
a=ice-options:ice2 rtp+ecn
```

6. Keepalives

All the ICE agents **MUST** follow the procedures defined in [Section 11](#) of [RFC8445] for sending keepalives. The keepalives **MUST** be sent regardless of whether the data stream is currently inactive, sendonly, recvonly, or sendrecv, and regardless of the presence or value of the bandwidth attribute. An agent can determine that its peer supports ICE by the presence of "a=candidate" attributes for each media session.

7. SIP Considerations

Note that ICE is not intended for NAT traversal for SIP signaling, which is assumed to be provided via another mechanism [RFC5626].

When ICE is used with SIP, forking may result in a single offer generating a multiplicity of answers. In that case, ICE proceeds completely in parallel and independently for each answer, treating the combination of its offer and each answer as an independent offer/answer exchange, with its own set of local candidates, pairs, checklists, states, and so on.

7.1. Latency Guidelines

ICE requires a series of STUN-based connectivity checks to take place between endpoints. These checks start from the answerer on generation of its answer, and start from the offerer when it receives the answer. These checks can take time to complete, and as such, the selection of messages to use with offers and answers can affect perceived user latency. Two latency figures are of particular interest. These are the post-pickup delay and the post-dial delay. The post-pickup delay refers to the time between when a user "answers the phone" and when any speech they utter can be delivered to the caller. The post-dial delay refers to the time between when a user enters the destination address for the user and ringback begins as a consequence of having successfully started alerting the called user agent.

Two cases can be considered -- one where the offer is present in the initial INVITE and one where it is in a response.

7.1.1. Offer in INVITE

To reduce post-dial delays, it is **RECOMMENDED** that the caller begin gathering candidates prior to actually sending its initial INVITE, so that the candidates can be provided in the INVITE. This can be started upon user interface cues that a call is pending, such as activity on a keypad or the phone going off-hook.

On the receipt of the offer, the answerer **SHOULD** generate an answer in a provisional response as soon as it has completed gathering the candidates. ICE requires that a provisional response with an SDP be transmitted reliably. This can be done through the existing Provisional Response Acknowledgment (PRACK) mechanism [RFC3262] or through an ICE specific optimization, wherein, the agent retransmits the provisional response with the exponential backoff timers described in [RFC3262]. Such retransmissions **MUST** cease on receipt of a STUN Binding request with the transport address matching the candidate address for one of the data streams signaled in that SDP or on transmission of the answer in a 2xx response. If no Binding request is received prior to the last retransmit, the agent does not consider the session terminated. For the ICE lite peers, the agent **MUST** cease retransmitting the 18x after sending it four times since there will be no Binding request sent and the number four is arbitrarily chosen to limit the number of 18x retransmits.

Once the answer has been sent, the agent **SHOULD** begin its connectivity checks. Once candidate pairs for each component of a data stream enter the valid list, the answerer can begin sending media on that data stream.

However, prior to this point, any media that needs to be sent towards the caller (such as SIP early media [RFC3960]) **MUST NOT** be transmitted. For this reason, implementations **SHOULD** delay alerting the called party until candidates for each component of each data stream have entered the valid list. In the case of a PSTN gateway, this would mean that the setup message into the PSTN is delayed until this point. Doing this increases the post-dial delay, but has the effect of eliminating 'ghost rings'. Ghost rings are cases where the called party hears the phone ring, picks up, but hears nothing and cannot be heard. This technique works without requiring support for, or usage of, preconditions [RFC3312]. It also has the benefit of guaranteeing that

not a single packet of media will get clipped, so that post-pickup delay is zero. If an agent chooses to delay local alerting in this way, it **SHOULD** generate a 180 response once alerting begins.

7.1.2. Offer in Response

In addition to uses where the offer is in an INVITE, and the answer is in the provisional and/or 200 OK response, ICE works with cases where the offer appears in the response. In such cases, which are common in third party call control [[RFC3725](#)], ICE agents **SHOULD** generate their offers in a reliable provisional response (which **MUST** utilize [[RFC3262](#)]), and not alert the user on receipt of the INVITE. The answer will arrive in a PRACK. This allows for ICE processing to take place prior to alerting, so that there is no post-pickup delay, at the expense of increased call setup delays. Once ICE completes, the callee can alert the user and then generate a 200 OK when they answer. The 200 OK would contain no SDP, since the offer/answer exchange has completed.

Alternatively, agents **MAY** place the offer in a 2xx instead (in which case the answer comes in the ACK). When this happens, the callee will alert the user on receipt of the INVITE, and the ICE exchanges will take place only after the user answers. This has the effect of reducing call setup delay, but can cause substantial post-pickup delays and media clipping.

7.2. SIP Option Tags and Media Feature Tags

[[RFC5768](#)] specifies a SIP option tag and media feature tag for usage with ICE. ICE implementations using SIP **SHOULD** support this specification, which uses a feature tag in registrations to facilitate interoperability through signaling intermediaries.

7.3. Interactions with Forking

ICE interacts very well with forking. Indeed, ICE fixes some of the problems associated with forking. Without ICE, when a call forks and the caller receives multiple incoming data streams, it cannot determine which data stream corresponds to which callee.

With ICE, this problem is resolved. The connectivity checks which occur prior to transmission of media carry username fragments, which in turn are correlated to a specific callee. Subsequent media packets that arrive on the same candidate pair as the connectivity check will be associated with that same callee. Thus, the caller can perform this correlation as long as it has received an answer.

7.4. Interactions with Preconditions

Quality of Service (QoS) preconditions, which are defined in [\[RFC3312\]](#) and [\[RFC4032\]](#), apply only to the transport addresses listed as the default targets for media in an offer/answer. If ICE changes the transport address where media is received, this change is reflected in an updated offer that changes the default destination for media to match ICE's selection. As such, it appears like any other re-INVITE would, and is fully treated in RFCs 3312 and 4032, which apply without regard to the fact that the destination for media is changing due to ICE negotiations occurring "in the background".

Indeed, an agent **SHOULD NOT** indicate that QoS preconditions have been met until the checks have completed and selected the candidate pairs to be used for media.

ICE also has (purposeful) interactions with connectivity preconditions [\[RFC5898\]](#). Those interactions are described there. Note that the procedures described in [Section 7.1](#) describe their own type of "preconditions", albeit with less functionality than those provided by the explicit preconditions in [\[RFC5898\]](#).

7.5. Interactions with Third Party Call Control

ICE works with Flows I, III, and IV as described in [\[RFC3725\]](#). Flow I works without the controller supporting or being aware of ICE. Flow IV will work as long as the controller passes along the ICE attributes without alteration. Flow II is fundamentally incompatible with ICE; each agent will believe itself to be the answerer and thus never generate a re-INVITE.

The flows for continued operation, as described in [Section 7](#) of [\[RFC3725\]](#), require additional behavior of ICE implementations to support. In particular, if an agent receives a mid-dialog re-INVITE that contains no offer, it **MUST** restart ICE for each data stream and go through the process of gathering new candidates. Furthermore, that list of candidates **SHOULD** include the ones currently being used for media.

8. Interactions with Application Layer Gateways and SIP

Application Layer Gateways (ALGs) are functions present in a Network Address Translation (NAT) device that inspect the contents of packets and modify them, in order to facilitate NAT traversal for application protocols. Session Border Controllers (SBCs) are close cousins of ALGs, but are less transparent since they actually exist as application-layer SIP intermediaries. ICE has interactions with SBCs and ALGs.

If an ALG is SIP aware but not ICE aware, ICE will work through it as long as the ALG correctly modifies the SDP. A correct ALG implementation behaves as follows:

- The ALG does not modify the "m=" and "c=" lines or the rtcp attribute if they contain external addresses.
- If the "m=" and "c=" lines contain internal addresses, the modification depends on the state of the ALG:
 - If the ALG already has a binding established that maps an external port to an internal connection address and port matching the values in the "m=" and "c=" lines or rtcp attribute, the ALG uses that binding instead of creating a new one.
 - If the ALG does not already have a binding, it creates a new one and modifies the SDP, rewriting the "m=" and "c=" lines and rtcp attribute.

Unfortunately, many ALGs are known to work poorly in these corner cases. ICE does not try to work around broken ALGs, as this is outside the scope of its functionality. ICE can help diagnose these conditions, which often show up as a mismatch between the set of candidates and the "m=" and "c=" lines and rtcp attributes. The ice-mismatch attribute is used for this purpose.

ICE works best through ALGs when the signaling is run over TLS. This prevents the ALG from manipulating the SDP messages and interfering with ICE operation. Implementations that are expected to be deployed behind ALGs **SHOULD** provide for TLS transport of the SDP.

If an SBC is SIP aware but not ICE aware, the result depends on the behavior of the SBC. If it is acting as a proper Back-to-Back User Agent (B2BUA), the SBC will remove any SDP attributes it doesn't understand, including the ICE attributes. Consequently, the call will appear to both endpoints as if the other side doesn't support ICE. This will

result in ICE being disabled, and media flowing through the SBC, if the SBC has requested it. If, however, the SBC passes the ICE attributes without modification, yet modifies the default destination for media (contained in the "m=" and "c=" lines and rtp attribute), this will be detected as an ICE mismatch, and ICE processing is aborted for the call. It is outside of the scope of ICE for it to act as a tool for "working around" SBCs. If one is present, ICE will not be used and the SBC techniques take precedence.

9. Security Considerations

The generic ICE security considerations are defined in [RFC8445], and the generic SDP offer/answer security considerations are defined in [RFC3264]. These security considerations also apply to implementations of this document.

9.1. IP Address Privacy

In some cases, e.g., for privacy reasons, an agent may not want to reveal the related address and port. In this case the address **MUST** be set to "0.0.0.0" (for IPv4 candidates) or ":::" (for IPv6 candidates) and the port to '9'.

9.2. Attacks on the Offer/Answer Exchanges

An attacker that can modify or disrupt the offer/answer exchanges themselves can readily launch a variety of attacks with ICE. They could direct media to a target of a DoS attack, they could insert themselves into the data stream, and so on. These are similar to the general security considerations for offer/answer exchanges, and the security considerations in [RFC3264] apply. These require techniques for message integrity and encryption for offers and answers, which are satisfied by the TLS mechanism [RFC3261] when SIP is used. As such, the usage of TLS with ICE is **RECOMMENDED**.

9.3. The Voice Hammer Attack

The voice hammer attack is an amplification attack, and can be triggered even if the attacker is an authenticated and valid participant in a session. In this attack, the attacker initiates sessions to other agents, and maliciously includes the connection address and port of a DoS target as the destination for media traffic signaled in the SDP. This causes substantial amplification; a single offer/answer exchange can create a continuing flood of media packets, possibly at high rates (consider video sources). The use of ICE can help to prevent against this attack.

Specifically, if ICE is used, the agent receiving the malicious SDP will first perform connectivity checks to the target of media before sending media there. If this target is a third-party host, the checks will not succeed, and media is never sent.

Unfortunately, ICE doesn't help if it's not used, in which case an attacker could simply send the offer without the ICE parameters. However, in environments where the set of clients is known, and is limited to ones that support ICE, the server can reject any offers or answers that don't indicate ICE support.

SIP User Agents (UA) [[RFC3261](#)] that are not willing to receive non-ICE answers **MUST** include an "ice" Option Tag [[RFC5768](#)] in the SIP Require Header Field in their offer. UAs that reject non-ICE offers will generally use a 421 response code, together with an Option Tag "ice" in the Require Header Field in the response.

10. IANA Considerations

10.1. SDP Attributes

The original ICE specification defined seven new SDP attributes per the procedures of [Section 8.2.4](#) of [[RFC4566](#)]. The registration information from the original specification is included here with modifications to include Mux Category and also defines a new SDP attribute 'ice-pacing'.

10.1.1. candidate Attribute

Attribute Name: candidate

Type of Attribute: media-level

Subject to charset: No

Purpose: This attribute is used with Interactive Connectivity Establishment (ICE), and provides one of many possible candidate addresses for communication. These addresses are validated with an end-to-end connectivity check using Session Traversal Utilities for NAT (STUN).

Appropriate Values: See [Section 5](#) of RFC XXXX.

Contact Name: IESG

Contact Email: iesg@ietf.org

Reference: RFCXXXX

Mux Category: TRANSPORT

10.1.2. remote-candidates Attribute

Attribute Name: remote-candidates

Type of Attribute: media-level

Subject to charset: No

Purpose: This attribute is used with Interactive Connectivity Establishment (ICE), and provides the identity of the remote candidates that the offerer wishes the answerer to use in its answer.

Appropriate Values: See [Section 5](#) of RFC XXXX.

Contact Name: IESG

Contact Email: iesg@ietf.org

Reference: RFCXXXX

Mux Category: TRANSPORT

10.1.3. ice-lite Attribute

Attribute Name: ice-lite

Type of Attribute: session-level

Subject to charset: No

Purpose: This attribute is used with Interactive Connectivity Establishment (ICE), and indicates that an agent has the minimum functionality required to support ICE inter-operation with a peer that has a full implementation.

Appropriate Values: See [Section 5](#) of RFC XXXX.

Contact Name: IESG

Contact Email: iesg@ietf.org

Reference: RFCXXXX

Mux Category: NORMAL

10.1.4. ice-mismatch Attribute

Attribute Name: ice-mismatch

Type of Attribute: media-level

Subject to charset: No

Purpose: This attribute is used with Interactive Connectivity Establishment (ICE), and indicates that an agent is ICE capable, but did not proceed with ICE due to a mismatch of candidates with the default destination for media signaled in the SDP.

Appropriate Values: See [Section 5](#) of RFC XXXX.

Contact Name: IESG

Contact e-mail: iesg@ietf.org

Reference: RFCXXXX

Mux Category: NORMAL

10.1.5. ice-pwd Attribute

Attribute Name: ice-pwd

Type of Attribute: session- or media-level

Subject to charset: No

Purpose: This attribute is used with Interactive Connectivity Establishment (ICE), and provides the password used to protect STUN connectivity checks.

Appropriate Values: See [Section 5](#) of RFC XXXX.

Contact Name: IESG

Contact e-mail: iesg@ietf.org

Reference: RFCXXXX

Mux Category: TRANSPORT

10.1.6. ice-ufrag Attribute

Attribute Name: ice-ufrag

Type of Attribute: session- or media-level

Subject to charset: No

Purpose: This attribute is used with Interactive Connectivity Establishment (ICE), and provides the fragments used to construct the username in STUN connectivity checks.

Appropriate Values: See [Section 5](#) of RFC XXXX.

Contact Name: IESG

Contact e-mail: iesg@ietf.org

Reference: RFCXXXX

Mux Category: TRANSPORT

10.1.7. ice-options Attribute

Attribute Name: ice-options

Long Form: ice-options

Type of Attribute: session-level

Subject to charset: No

Purpose: This attribute is used with Interactive Connectivity Establishment (ICE), and indicates the ICE options or extensions used by the agent.

Appropriate Values: See [Section 5](#) of RFC XXXX.

Contact Name: IESG

Contact e-mail: iesg@ietf.org

Reference: RFCXXXX

Mux Category: NORMAL

10.1.8. ice-pacing Attribute

This specification also defines a new SDP attribute, "ice-pacing" according to the following data:

Attribute Name: ice-pacing

Type of Attribute: session-level

Subject to charset: No

Purpose: This attribute is used with Interactive Connectivity Establishment (ICE) to indicate desired connectivity check pacing values.

Appropriate Values: See [Section 5](#) of RFC XXXX.

Contact Name: IESG

Contact e-mail: iesg@ietf.org

Reference: RFCXXXX

Mux Category: NORMAL

10.2. Interactive Connectivity Establishment (ICE) Options Registry

IANA maintains a registry for ice-options identifiers under the Specification Required policy as defined in "Guidelines for Writing an IANA Considerations Section in RFCs" [[RFC8126](#)].

ICE options are of unlimited length according to the syntax in [Section 5.6](#); however, they are **RECOMMENDED** to be no longer than 20 characters. This is to reduce message sizes and allow for efficient parsing. ICE options are defined at the session level.

A registration request **MUST** include the following information:

- The ICE option identifier to be registered
- Name and email address of organization or individuals having change control
- Short description of the ICE extension to which the option relates
- Reference(s) to the specification defining the ICE option and the related extensions

10.3. Candidate Attribute Extension Subregistry Establishment

This section creates a new sub-registry, "Candidate Attribute Extensions", under the sdp-parameters registry: <http://www.iana.org/assignments/sdp-parameters>.

The purpose of the sub-registry is to register SDP candidate attribute extensions.

When a candidate extension is registered in the sub-registry, it needs to meet the "Specification Required" policies defined in [RFC8126].

Candidate attribute extensions **MUST** follow the 'cand-extension' syntax. The attribute extension name **MUST** follow the 'extension-att-name' syntax, and the attribute extension value **MUST** follow the 'extension-att-value' syntax.

A registration request **MUST** include the following information:

- The name of the attribute extension.
- Name and email address of organization or individuals having change control
- A short description of the attribute extension.
- A reference to a specification that describes the semantics, usage and possible values of the attribute extension.

11. Changes from RFC 5245

[RFC8445] describes the changes that were done to the common SIP procedures, including removal of aggressive nomination, modifying the procedures for calculating candidate pair states and scheduling connectivity checks and the calculation of timer values.

This document defines the following SDP offer/answer specific changes:

- SDP offer/answer realization and usage of 'ice2' option.
- Definition and usage of SDP 'ice-pacing' attribute.
- Explicit text that an ICE agent must not generate candidates with FQDNs, and must discard such candidates if received from the peer agent.
- Relax requirement to include SDP 'rtcp' attribute.
- Generic clarifications of SDP offer/answer procedures.

12. References

12.1. Normative References

- [ICE-PAC]** Holmberg, C. and J. Uberti, "Interactive Connectivity Establishment Patiently Awaiting Connectivity (ICE PAC)", Work in Progress, Internet-Draft, draft-ietf-ice-pac-02, 24 July 2019, <<https://tools.ietf.org/html/draft-ietf-ice-pac-02>>.
- [RFC2119]** Bradner, S., "Key words for use in RFCs to Indicate Requirement Levels", BCP 14, RFC 2119, DOI 10.17487/RFC2119, March 1997, <<https://www.rfc-editor.org/info/rfc2119>>.
- [RFC3261]** Rosenberg, J., Schulzrinne, H., Camarillo, G., Johnston, A., Peterson, J., Sparks, R., Handley, M., and E. Schooler, "SIP: Session Initiation Protocol", RFC 3261, DOI 10.17487/RFC3261, June 2002, <<https://www.rfc-editor.org/info/rfc3261>>.
- [RFC3262]** Rosenberg, J. and H. Schulzrinne, "Reliability of Provisional Responses in Session Initiation Protocol (SIP)", RFC 3262, DOI 10.17487/RFC3262, June 2002, <<https://www.rfc-editor.org/info/rfc3262>>.
- [RFC3264]** Rosenberg, J. and H. Schulzrinne, "An Offer/Answer Model with Session Description Protocol (SDP)", RFC 3264, DOI 10.17487/RFC3264, June 2002, <<https://www.rfc-editor.org/info/rfc3264>>.
- [RFC3312]** Camarillo, G., Ed., Marshall, W., Ed., and J. Rosenberg, "Integration of Resource Management and Session Initiation Protocol (SIP)", RFC

- 3312, DOI 10.17487/RFC3312, October 2002, <<https://www.rfc-editor.org/info/rfc3312>>.
- [RFC3556]** Casner, S., "Session Description Protocol (SDP) Bandwidth Modifiers for RTP Control Protocol (RTCP) Bandwidth", RFC 3556, DOI 10.17487/RFC3556, July 2003, <<https://www.rfc-editor.org/info/rfc3556>>.
- [RFC3605]** Huitema, C., "Real Time Control Protocol (RTCP) attribute in Session Description Protocol (SDP)", RFC 3605, DOI 10.17487/RFC3605, October 2003, <<https://www.rfc-editor.org/info/rfc3605>>.
- [RFC4032]** Camarillo, G. and P. Kyzivat, "Update to the Session Initiation Protocol (SIP) Preconditions Framework", RFC 4032, DOI 10.17487/RFC4032, March 2005, <<https://www.rfc-editor.org/info/rfc4032>>.
- [RFC4566]** Handley, M., Jacobson, V., and C. Perkins, "SDP: Session Description Protocol", RFC 4566, DOI 10.17487/RFC4566, July 2006, <<https://www.rfc-editor.org/info/rfc4566>>.
- [RFC5234]** Crocker, D., Ed. and P. Overell, "Augmented BNF for Syntax Specifications: ABNF", STD 68, RFC 5234, DOI 10.17487/RFC5234, January 2008, <<https://www.rfc-editor.org/info/rfc5234>>.
- [RFC5389]** Rosenberg, J., Mahy, R., Matthews, P., and D. Wing, "Session Traversal Utilities for NAT (STUN)", RFC 5389, DOI 10.17487/RFC5389, October 2008, <<https://www.rfc-editor.org/info/rfc5389>>.
- [RFC5768]** Rosenberg, J., "Indicating Support for Interactive Connectivity Establishment (ICE) in the Session Initiation Protocol (SIP)", RFC 5768, DOI 10.17487/RFC5768, April 2010, <<https://www.rfc-editor.org/info/rfc5768>>.
- [RFC6336]** Westerlund, M. and C. Perkins, "IANA Registry for Interactive Connectivity Establishment (ICE) Options", RFC 6336, DOI 10.17487/RFC6336, July 2011, <<https://www.rfc-editor.org/info/rfc6336>>.
- [RFC8174]** Leiba, B., "Ambiguity of Uppercase vs Lowercase in RFC 2119 Key Words", BCP 14, RFC 8174, DOI 10.17487/RFC8174, May 2017, <<https://www.rfc-editor.org/info/rfc8174>>.
- [RFC8445]** Keranen, A., Holmberg, C., and J. Rosenberg, "Interactive Connectivity Establishment (ICE): A Protocol for Network Address Translator (NAT)

Traversal", RFC 8445, DOI 10.17487/RFC8445, July 2018, <<https://www.rfc-editor.org/info/rfc8445>>.

12.2. Informative References

- [RFC3725]** Rosenberg, J., Peterson, J., Schulzrinne, H., and G. Camarillo, "Best Current Practices for Third Party Call Control (3pcc) in the Session Initiation Protocol (SIP)", BCP 85, RFC 3725, DOI 10.17487/RFC3725, April 2004, <<https://www.rfc-editor.org/info/rfc3725>>.
- [RFC3960]** Camarillo, G. and H. Schulzrinne, "Early Media and Ringing Tone Generation in the Session Initiation Protocol (SIP)", RFC 3960, DOI 10.17487/RFC3960, December 2004, <<https://www.rfc-editor.org/info/rfc3960>>.
- [RFC5245]** Rosenberg, J., "Interactive Connectivity Establishment (ICE): A Protocol for Network Address Translator (NAT) Traversal for Offer/Answer Protocols", RFC 5245, DOI 10.17487/RFC5245, April 2010, <<https://www.rfc-editor.org/info/rfc5245>>.
- [RFC5626]** Jennings, C., Ed., Mahy, R., Ed., and F. Audet, Ed., "Managing Client-Initiated Connections in the Session Initiation Protocol (SIP)", RFC 5626, DOI 10.17487/RFC5626, October 2009, <<https://www.rfc-editor.org/info/rfc5626>>.
- [RFC5898]** Andreasen, F., Camarillo, G., Oran, D., and D. Wing, "Connectivity Preconditions for Session Description Protocol (SDP) Media Streams", RFC 5898, DOI 10.17487/RFC5898, July 2010, <<https://www.rfc-editor.org/info/rfc5898>>.
- [RFC6679]** Westerlund, M., Johansson, I., Perkins, C., O'Hanlon, P., and K. Carlberg, "Explicit Congestion Notification (ECN) for RTP over UDP", RFC 6679, DOI 10.17487/RFC6679, August 2012, <<https://www.rfc-editor.org/info/rfc6679>>.
- [RFC8126]** Cotton, M., Leiba, B., and T. Narten, "Guidelines for Writing an IANA Considerations Section in RFCs", BCP 26, RFC 8126, DOI 10.17487/RFC8126, June 2017, <<https://www.rfc-editor.org/info/rfc8126>>.

Appendix A. Examples

For the example shown in [Section 15](#) of [\[RFC8445\]](#), the resulting offer (message 5) encoded in SDP looks like:

```
v=0
o=jdoe 2890844526 2890842807 IN IP6 $L-PRIV-1.IP
s=
c=IN IP6 $NAT-PUB-1.IP
t=0 0
a=ice-options:ice2
a=ice-pacing:50
a=ice-pwd:asd88fgpdd777uzjYhagZg
a=ice-ufrag:8hhY
m=audio $NAT-PUB-1.PORT RTP/AVP 0
b=RS:0
b=RR:0
a=rtpmap:0 PCMU/8000
a=candidate:1 1 UDP 2130706431 $L-PRIV-1.IP $L-PRIV-1.PORT typ host
a=candidate:2 1 UDP 1694498815 $NAT-PUB-1.IP $NAT-PUB-1.PORT typ
srflx raddr $L-PRIV-1.IP rport $L-PRIV-1.PORT
```

The offer, with the variables replaced with their values, will look like (lines folded for clarity):

```
v=0
o=jdoe 2890844526 2890842807 IN IP6 fe80::6676:baff:fe9c:ee4a
s=
c=IN IP6 2001:db8:8101:3a55:4858:a2a9:22ff:99b9
t=0 0
a=ice-options:ice2
a=ice-pacing:50
a=ice-pwd:asd88fgpdd777uzjYhagZg
a=ice-ufrag:8hhY
m=audio 45664 RTP/AVP 0
b=RS:0
b=RR:0
a=rtpmap:0 PCMU/8000
a=candidate:1 1 UDP 2130706431 fe80::6676:baff:fe9c:ee4a 8998 typ
host
a=candidate:2 1 UDP 1694498815 2001:db8:8101:3a55:4858:a2a9:22ff:99b9
45664 typ srflx raddr fe80::6676:baff:fe9c:ee4a rport 8998
```

The resulting answer looks like:

```
v=0
o=bob 2808844564 2808844564 IN IP4 $R-PUB-1.IP
s=
c=IN IP4 $R-PUB-1.IP
t=0 0
a=ice-options:ice2
a=ice-pacing:50
a=ice-pwd:YH75Fviy6338Vbrhr1p8Yh
a=ice-ufrag:9uB6
m=audio $R-PUB-1.PORT RTP/AVP 0
b=RS:0
b=RR:0
a=rtpmap:0 PCMU/8000
a=candidate:1 1 UDP 2130706431 $R-PUB-1.IP $R-PUB-1.PORT typ host
```

With the variables filled in:

```
v=0
o=bob 2808844564 2808844564 IN IP4 192.0.2.1
s=
c=IN IP4 192.0.2.1
t=0 0
a=ice-options:ice2
a=ice-pacing:50
a=ice-pwd:YH75Fviy6338Vbrhr1p8Yh
a=ice-ufrag:9uB6
m=audio 3478 RTP/AVP 0
b=RS:0
b=RR:0
a=rtpmap:0 PCMU/8000
a=candidate:1 1 UDP 2130706431 192.0.2.1 3478 typ host
```

Appendix B. The remote-candidates Attribute

The "a=remote-candidates" attribute exists to eliminate a race condition between the updated offer and the response to the STUN Binding request that moved a candidate into the Valid list. This race condition is shown in [Figure 1](#). On receipt of message 4, agent L adds a candidate pair to the valid list. If there was only a single data stream with a single component, agent L could now send an updated offer. However, the check from agent R has not yet generated a response, and agent R receives the updated offer (message 7) before getting the response (message 9). Thus, it does not yet know that this particular pair is valid. To eliminate this condition, the actual candidates at R that were selected by the offerer (the remote candidates) are included in the offer itself, and the answerer delays its answer until those pairs validate.

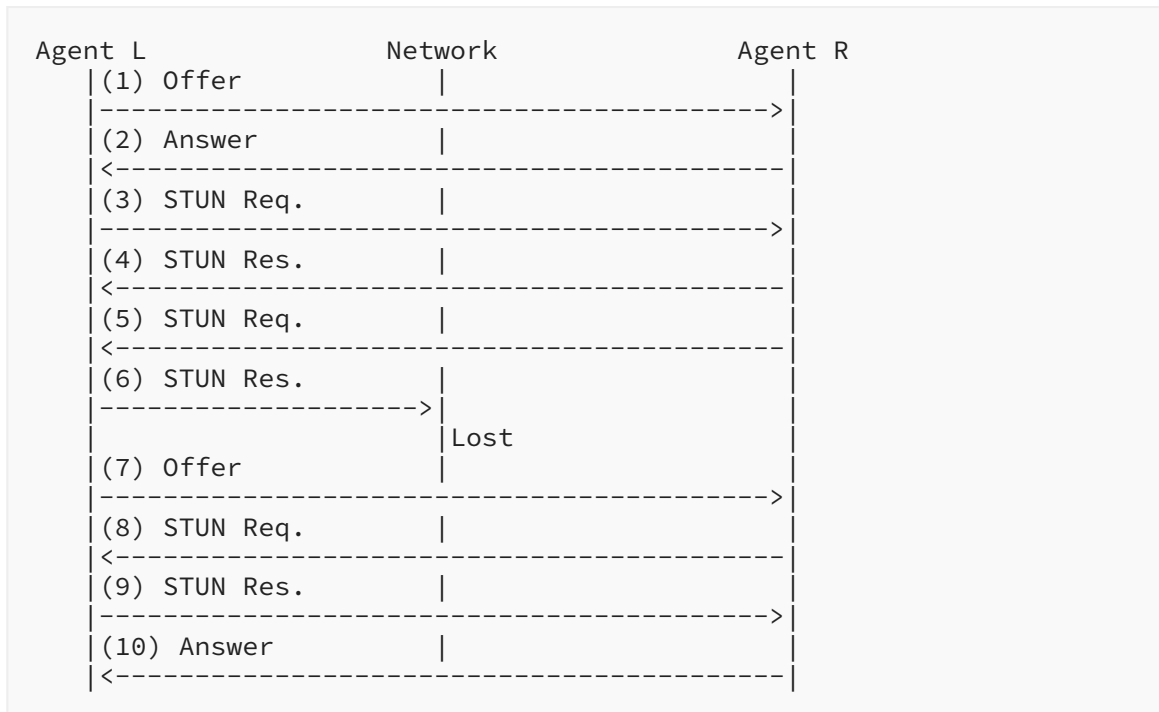


Figure 1: Race Condition Flow

Appendix C. Why Is the Conflict Resolution Mechanism Needed?

When ICE runs between two peers, one agent acts as controlled, and the other as controlling. Rules are defined as a function of implementation type and offerer/answerer to determine who is controlling and who is controlled. However, the specification mentions that, in some cases, both sides might believe they are controlling, or both sides might believe they are controlled. How can this happen?

The condition when both agents believe they are controlled shows up in third party call control cases. Consider the following flow:

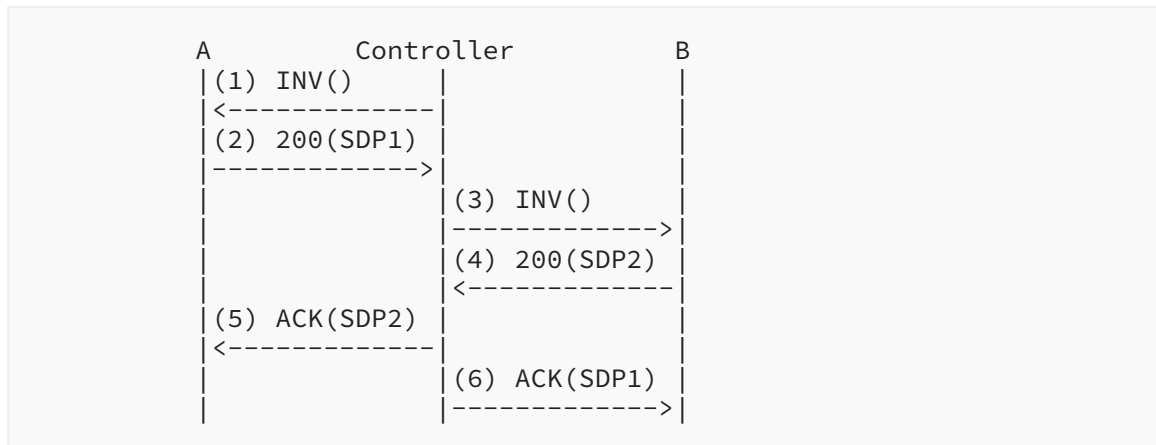


Figure 2: Role Conflict Flow

This flow is a variation on flow III of RFC 3725 [RFC3725]. In fact, it works better than flow III since it produces fewer messages. In this flow, the controller sends an offerless INVITE to agent A, which responds with its offer, SDP1. The agent then sends an offerless INVITE to agent B, which it responds to with its offer, SDP2. The controller then uses the offer from each agent to generate the answers. When this flow is used, ICE will run between agents A and B, but both will believe they are in the controlling role. With the role conflict resolution procedures, this flow will function properly when ICE is used.

At this time, there are no documented flows that can result in the case where both agents believe they are controlled. However, the conflict resolution procedures allow for this case, should a flow arise that would fit into this category.

Appendix D. Why Send an Updated Offer?

Section 11.1 describes rules for sending media. Both agents can send media once ICE checks complete, without waiting for an updated offer. Indeed, the only purpose of the updated offer is to "correct" the SDP so that the default destination for media matches where media is being sent based on ICE procedures (which will be the highest-priority nominated candidate pair).

This raises the question -- why is the updated offer/answer exchange needed at all? Indeed, in a pure offer/answer environment, it would not be. The offerer and answerer will agree on the candidates to use through ICE, and then can begin using them. As far as the agents themselves are concerned, the updated offer/answer

provides no new information. However, in practice, numerous components along the signaling path look at the SDP information. These include entities performing off-path QoS reservations, NAT traversal components such as ALGs and Session Border Controllers (SBCs), and diagnostic tools that passively monitor the network. For these tools to continue to function without change, the core property of SDP -- that the existing, pre-ICE definitions of the addresses used for media -- the "m=" and "c=" lines and the rtcp attribute -- must be retained. For this reason, an updated offer must be sent.

Acknowledgments

A large part of the text in this document was taken from [\[RFC5245\]](#), authored by Jonathan Rosenberg.

Some of the text in this document was taken from [\[RFC6336\]](#), authored by Magnus Westerlund and Colin Perkins.

Many thanks to Flemming Andreassen for shepherd review feedback.

Thanks to following experts for their reviews and constructive feedback: Thomas Stach, Adam Roach, Peter Saint-Andre, Roman Danyliw, Alissa Cooper, Benjamin Kaduk, Mirja Kuhlewind, Alexey Melnikov, Eric Vyncke for their detailed reviews.

Contributors

Following experts have contributed textual and structural improvements for this work

Thomas Stach
thomass.stach@gmail.com

Authors' Addresses

Marc Petit-Huguenin
Impedance Mismatch
Email: marc@petit-huguenin.org

Suhas Nandakumar

Cisco Systems
707 Tasman Dr
Milpitas, CA 95035
United States of America
Email: snandaku@cisco.com

Christer Holmberg

Ericsson
Hirsalantie 11
FI-02420 Jorvas
Finland
Email: christer.holmberg@ericsson.com

Ari Keranen

Ericsson
FI-02420 Jorvas
Finland
Email: ari.keranen@ericsson.com

Roman Shpount

TurboBridge
4905 Del Ray Avenue, Suite 300
Bethesda, MD 20814
United States of America
Phone: [+1 \(240\) 292-6632](tel:+1(240)292-6632)
Email: rshpount@turbobridge.com